

FUEL STORAGE – TRANSPORTABLE

ENVIROCUBE GLOBAL

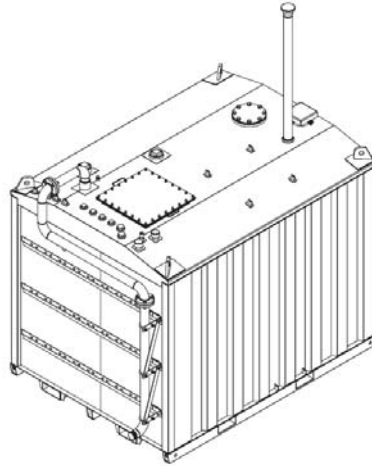
ENVIRO
CUBE



GLOBAL SERIES

The EnviroCube Global offers you superior security and versatility for stationary fueling applications. Offering high-volume and double-walled design, the EnviroCube Global is a cost effective yard tank, ideal for fuel distributors and their customers, including fleet operators.

MODEL: E3000



- ❖ Pump Kits. Compatible with Western Global's range of standardized large tank pump kits.
- ❖ Access Manway. Allows easy inspection of inner tank and simplifies routine maintenance.
- ❖ Lifting Eyes. Allow tank to be moved by crane when empty.
- ❖ Double Walled, 110% Containment. Built-in, weather proof secondary containment eliminates the need for berms or basins.
- ❖ Forklift Pockets. Quick and easy maneuvering and mobility when empty.

SPECIFICATIONS

STANDARD FITTINGS: 3" Camlock male tanker hose fill point with dust cap and 3" ball valve. 3" free to air stack vent. Manway with internal access ladder. Water evacuation pipe. Dip stick. Optional pump cabinet available.

Capacity (Brim Fill) Litres: 11410

Weight Empty (kg/lbs): 3047kg / 6717lbs

Capacity (Brim Fill) US Gallons: 3014

Weight Full (kg/lbs): 11973kg / 26395lbs

Capacity (Safe Fill) US Gallons: 2742

Approvals: UL142, CAN/ULC-S601-14, NFPA

Dimension Length (mm/in): 2958mm / 116"

Dimension Width (mm/in): 2236mm / 88"

Dimension Height (mm/in): 2475mm / 97"

